

# CLS-420 Wired Version

Forklift Scale



## Standard Features

### Scale Carriage

- Compatible with Class II (16 in H) or III (20 in H) forklift cleat type carriages
- Out of level NTEP Certified tolerance at seven degrees pitch and roll, three degrees side to side
- 1 1/2 in thick front and back painted steel plates coupled by four flexures
- Top cleats are welded, pinned and bolted
- Welded centering pin
- Two 5,000 pound s-beam load cells
- Updated iQube<sup>2</sup> junction box with inclinometer
- Molded coiled cable, up-to 15ft uncoiled

### 420 Plus Indicator

- Stainless steel enclosure
- On/Off switch to conserve forklift battery life
- Front panel calibration
- Full numeric keypad for manual tare entry
- Accumulate weight function using the print key for multiple pallets
- Single RS-232 port transmits time, date and weight for interface to PC or printer
- Two piece top cage indicator mounting assembly with vibration mounts
- 9-36 VDC power supply for use on propane forklifts or 10-60 VDC power supply for use on electric forklifts

### Presale Requirements

- Provide completed forklift questionnaire for quotation. A pre-installed load backrest on the forklift may interfere with flexures or wireless load cell interface option
- Compatible with most Class II and Class III forklift attachments, consult factory

### Installation Recommendations

- When installing a forklift scale on an electric forklift, static discharge protection must be present on the forklift and install a chassis mount power conditioner to protect forklift electronics.
- When installing a forklift scale, OSHA requires the end user to de-rate the lift capacity of the forklift, see questionnaire for details

Contact Rice Lake Weighing Systems sales staff if printing is required

## Specifications

### Scale Capacity:

28 in and 34 in: 5,000 lb x 5 lb NTEP Certified  
38 in: 8,000 lb x 5 lb non-type approved

### Scale Power:

Supplied by indicator through coiled interface cable

### Scale Material/Finish:

Painted steel

### 420 Plus Display:

0.8 in (20 mm), six-digit super red light emitting diode (LED), seven-segment digits

### 420 Power - DC:

Line voltages: 9-36 VDC DC input  
Power consumption: 0.75 A max fused at 5.0 A  
Line voltage 10-60 VDC input  
Power consumption: 0.75 A max fused at 5.0 A

### 420 Status Annunciators:

Designators for: Center of zero, stand still, gross, net, lb, kg, tare

### 420 Operating Temperature:

Legal: 14° F to 104° F (-10° C to 40° C)  
Industrial: 14° F to 122° F (-10° C to 50° C)

### Warranty:

Two-year limited warranty

### Approval:

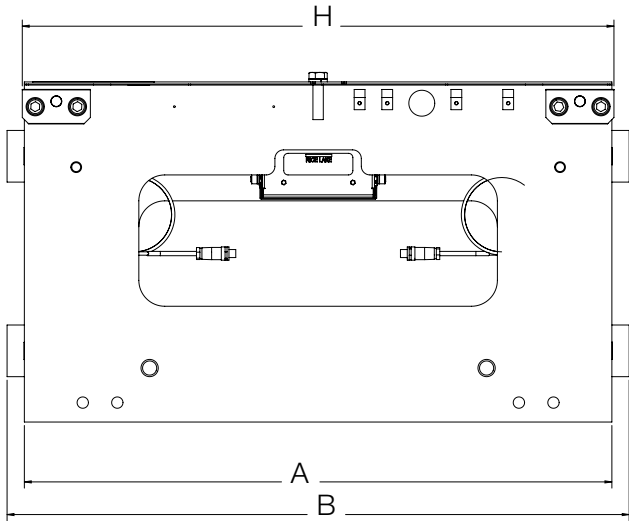
NTEP CC 06-074 (5,000 lb only) per H-44 at 1,000 divisions

## APPROVALS

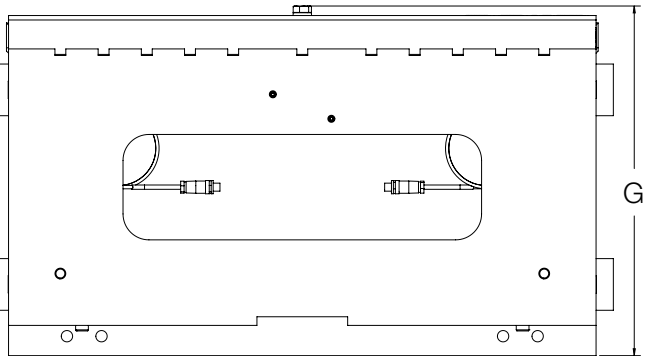


# CLS-420 Wired Version

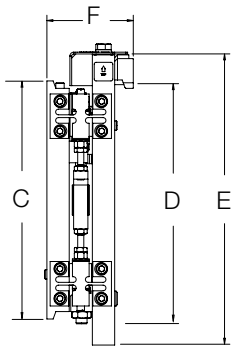
Forklift Scale



Front view



Rear view



Side view

### CLS Dimensions

#### 28 in, 5,000 lb

|   |                     |   |                     |
|---|---------------------|---|---------------------|
| A | 28 in (711.2 mm)    | E | 19.50 in (495.3 mm) |
| B | 30 in (762.2 mm)    | F | 4.49 in (114 mm)    |
| C | 16 in (406.4 mm)    | G | 21.80 in (553.7 mm) |
| D | 16.29 in (413.8 mm) | H | 28.24 in (717.3 mm) |

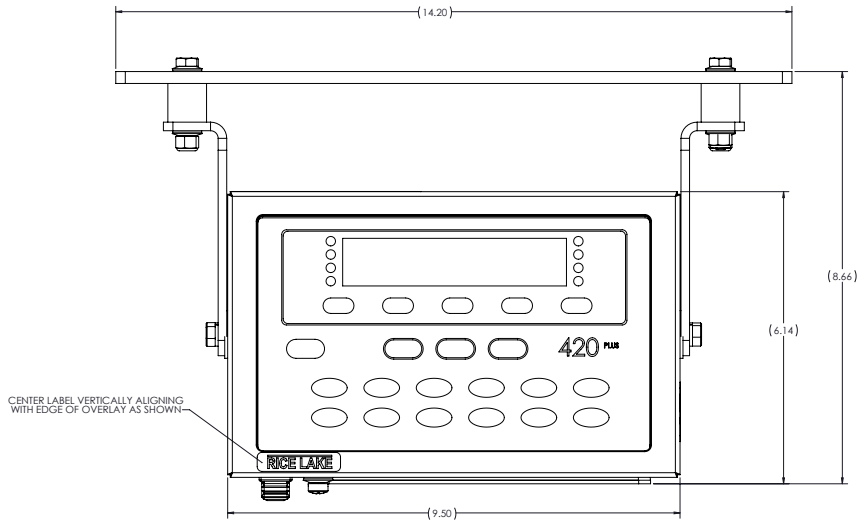
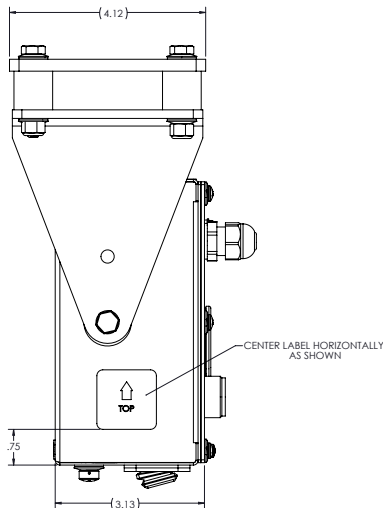
#### 34 in, 5,000 lb

|   |                     |   |                     |
|---|---------------------|---|---------------------|
| A | 34 in (863.6 mm)    | E | 19.50 in (495.3 mm) |
| B | 36 in (914.4 mm)    | F | 4.49 in (114 mm)    |
| C | 16 in (406.4 mm)    | G | 21.80 in (553.7 mm) |
| D | 16.29 in (413.8 mm) | H | 34.24 in (869.7 mm) |

#### 38 in, 8,000 lb

|   |                     |   |                     |
|---|---------------------|---|---------------------|
| A | 38 in (965.2 mm)    | E | 24.50 in (622.3 mm) |
| B | 40 in (622.3 mm)    | F | 6.04 in (153.4 mm)  |
| C | 20 in (508 mm)      | G | 26.68 in (677.7 mm) |
| D | 20.15 in (511.8 mm) | H | 38 in (965.2 mm)    |

Additional drawings available at [www.ricelake.com](http://www.ricelake.com)



# CLS-420 Wired Version

Forklift Scale

## Part Number/Price

| Part #   | Size, Capacity                         | Forklift Compatibility   | Est. Weight | Price   |
|--|--|--|-------------|---------|
| <b>CLS Forklift Scale, 9-36 Volts for Propane Forklifts and 12 Volt Battery</b>    |  |  |             |         |
| 171812   | 5,000 lb x 5 lb                        | 28 in W, Class II 16 in (H) forklift carriage (30 in W with flexures)  | 524 lb      | Consult |
| 167252   | 5,000 lb x 5 lb                        | 34 in W, Class II 16 in (H) forklift carriage (36 in W with flexures)  | 539 lb      | Consult |
| 171813*  | 8,000 lb x 5 lb<br>non-Legal for Trade | 38 in W, Class III 20 in (H) forklift carriage (40 in W with flexures) | 1,144 lb    | Consult |
| <b>CLS Forklift Scale, 10-60 Volts for Electric Forklifts and 36+ Volt Battery</b> |  |  |             |         |
| 167417   | 5,000 lb x 5 lb                        | 28 in W, Class II 16 in (H) forklift carriage (30 in W with flexures)  | 524 lb      | Consult |
| 167274   | 5,000 lb x 5 lb                        | 34 in W, Class II 16 in (H) forklift carriage (36 in W with flexures)  | 539 lb      | Consult |
| 167409*  | 8,000 lb x 5 lb<br>non-Legal for Trade | 38 in W, Class III 20 in (H) forklift carriage (40 in W with flexures) | 1,144 lb    | Consult |

*\*Non-NTEP Certified*

*Manufacturer recommends adding PN 166161 to protect electronics against static for installation on electronic forklifts*

## Options/Accessories

*The following options and replacement parts below are available to use for the part numbers referenced above.*

*To order replacement parts and options for products purchased prior to this catalog, contact the factory for assistance.*

| Part #                   | Description   | Price   |
|--------------------------|---|---------|
| 184726                   | Wireless LAN card 802.11 B/G, requires factory installation             | Consult |
| 167498                   | 6.5 ft straight extension cable to coiled cable                         | Consult |
| 166161                   | DC Emi filter, chasis mount, 0 – 75 VDC input, 100 VDC surge protection | Consult |
| 166162                   | DC-DC converter, chasis mount, 18-75 VDC input, 12 VDC output           | Consult |
| <b>Replacement Parts</b> |   |         |
| 125395                   | Coiled cable (junction box to indicator)                                | Consult |
| 96915                    | Power cable assembly with power fuse cable                              | Consult |
| 130129                   | Power fuse cable assembly   | Consult |
| 166623                   | RL20000 FLS load cell 5,000 lb 1.5 mV/V 350ohm with turk connectors     | Consult |
| 166756                   | RL20000 FLS turk load cell connector                                    | Consult |
| 167261                   | CLS-420 iQUBE <sup>2</sup> ®, junction box assembly                     | Consult |
| <b>Manuals</b>           |   |         |
| 96483                    | CLS-420 installation manual   | Consult |
| 96484                    | CLS-420 operator card   | Consult |