

CS3000™ Crane Scales

Cost-Effective Solution for High Capacity, Overhead Weighing



Rugged Crane Scale Built to Thrive in Harsh Environments.

Available in capacities ranging from 2,000lb (1,000kg) to 100,000lb (50,000kg), the CS3000™ crane scale features fully integrated RFX™ Wireless Weighing Technology and is built to thrive in harsh environments. All crane unit electronics are shock-mounted in a weatherproof case and provide maximum protection against moisture, dust and rough usage. Commercially available batteries offer industry leading battery life, minimizing down time due to battery charging or replacement.

Intercomp
advanced weighing technology . . . by any measure

CS3000™ Crane Scales

Accuracy of $\pm 0.1\%$ of Reading

Available in Capacities to 100,000lbs (50,000kgs)

Commercially Available Alkaline D-Cell Batteries Last up to 3,000 Hours in LCD Scale, 500 Hours in LED (included)



Large, Easy-to-Read, LCD Display

Large, 1.5" High Visibility LED Display



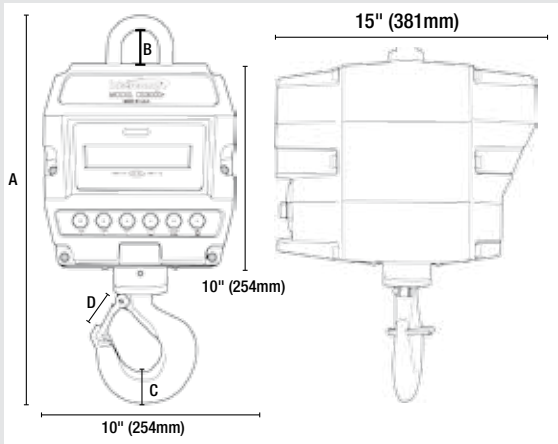
IP65 Protection



iExactWeigh™ Compatible

Includes:

- Alkaline Batteries
- Top Eye Hook
- Bottom Swivel Hook
- Infrared Remote Control with Batteries



CAPACITY	A*	B*	C*	D*
2,000lb (1,000kg)	19.3" (490mm)	3.06" (77mm)	1.44" (35mm)	1.41" (36mm)
5,000lb (2,500kg)	22" (558mm)	3.06" (77mm)	1.82" (45mm)	1.69" (43mm)
10,000lb (5,000kg)	22" (558mm)	3.06" (77mm)	1.82" (45mm)	1.69" (43mm)
20,000lb (10,000kg)	37.15" (944mm)	6.25" (159mm)	2.6" (66mm)	2.41" (61mm)
30,000lb (15,000kg)	39.15" (994mm)	6.25" (159mm)	3" (76mm)	3.19" (81mm)
50,000lb (25,000kg)	43.5" (1,105mm)	6" (152mm)	3.66" (93mm)	3.62" (92mm)
70,000lb (35,000kg)	47.56" (1,208mm)	6" (152mm)	4.56" (116mm)	3.75" (92mm)
100,000lb (50,000kg)	53" (1,347mm)	7.75" (197mm)	5.06" (129mm)	4.25" (108mm)

*Specs are based on industry-standards, please call if your application has precise measurement requirements.

Performance

Accuracy: $\pm 0.1\%$ of Reading

Controls

General: Zero, lb/kg, Mode, Accum Total, Tare, On/Off
 Display: LCD or LED
 Characters: LCD - 1" (25mm)
 LED - 1.5" (38mm)

Options & Accessories:

- RS232 Serial Output & Direct Power Connector
- External Battery Charger
- Rechargeable Batteries
- Direct Power Cable (120/220V)
- Serial Output Cable, RS232/USB
- Thermal Printer

Environmental

Humidity: 10 to 95% Non-Condensing
 Temperature: Operating: -20° F to 150° F (-28° C to 65° C)
 Storage: -40° F to 170° F (-40° C to 75° C)

Physical

Overload: 200% of Capacity

Electrical

Battery: 8 x D-Sized Alkaline
 Battery Life: LED: 500 Hours (9,000 Hours in Stand-By)
 LCD: 3,000 Hours (9,000 Hours in Stand-By)

info@intercompcompany.com

Worldwide: +1 763-476-2531

Toll Free: 800-328-3336

Intercomp
 advanced weighing technology ... by any measure

intercompcompany.com

Specifications subject to change without notice.

CE ISO 9001:2008
 Registered



Printed in the U.S.A.

700714